

STANDARD

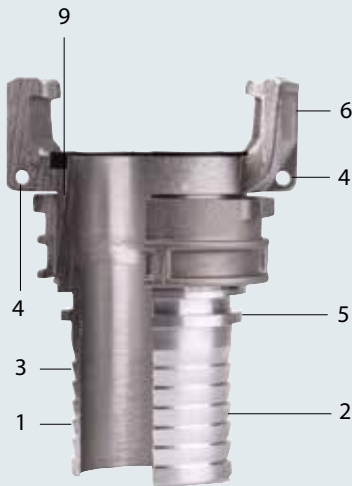
LMC's Guillemín couplings are symmetric couplings designed in compliance with EN 14420-8 / NF E 29-572.

OPERATION

A Guillemín coupling, consist of a seal * on the connection surface and is closed by placing two identical coupling pieces together. This symmetrical coupling is closed by turning the locking ring through a quarter turn, and is sealed by tightening the locking ring behind the lugs. Extra closure can be applied by locking the Guillemín coupling using a Guillemín GY wrench. Guillemín coupling locking rings can be turned through 360° when disconnected.

*Seal available only on Guillemín couplings with locking ring.

FEATURES



1. High quality surface finishing
2. Long hose shank for extra hose assembly rigidity
3. Extra wall thickness for longer life time
4. Reinforcement device with hole for chain attachment
5. Extra large collar
6. LMC-Couplings brand name
7. Heat treated material
8. Material composition as required by the standard
9. Standard black seal with excellent compression set properties

N.B.: Guillemín couplings are not interchangeable with DSP couplings

APPLICATION

For pressure and suction delivery of liquids and solids (such as powders and granulates)

Irrigation: ND 65 - 100

Hydrocarbons: ND 40 - 50 - 65 - 80 - 100

Granulates: ND 80 - 100

Chemicals: ND 20 - 100 (stainless steel)

N.B.: Guillemín couplings must never be used for steam or liquid gas applications

WORKING PRESSURE

16 bar / 230 psi

Test pressure: 30 bar / 435 psi

Minimum burst pressure: 50 bar / 725 psi



TEMPERATURE

-20°C / -4°F up to +65°C / 149°F

Hose, coupling, assembly method and seal must be chosen in relation with the desired application and temperature range.

MATERIAL

- Coupling
 - Aluminium heat treated
 - Stainless steel AISI 316 / 1.4401

- Seal
 - NBR - black standard for stainless steel and aluminium
 - EPDM - white
 - FPM - green
 - PTFE - white

ASSEMBLY

Worm drive clamps
Band clamps
RK-safety clamps complying with EN 14420-3 / DIN 2817
FLEXOLINE® safety clamps
Swage ferrules for helical hose shank
Butt welding

THREADS

Male thread: EN ISO 228-1, BSP
Female thread: EN ISO 228-1, BSP

TESTING

Guillemin couplings are often submitted to heavy handling impact when loading and unloading liquids and solids. These couplings are therefore subject to more demanding testing methods than other couplings.

LMC's guillemin couplings undergo a number of tests executed by our Research & Development department. In addition to our own testing methods, we also use the latest gauges specified by the European EN 14420-8 standard. The following product properties are tested:

- Lugs
- Locking ring
- Material test
- Dimensions
- Quality finishing

- Lugs

A fall of a hose, assembled with Guillemin couplings, causes an import impact on the lugs of the coupling. Therefore the mechanical strength of the lugs must be tested. The mechanical strength of the lugs is tested using a conical weight falling around its axis onto the coupling lugs. This 'Chinese head' test is developed to test the internal impact of the lugs. The external impact of the lugs is tested using the 'pan' test, which is the opposite of the 'Chinese head' procedure. LMC guillemin couplings passed both lug tests successfully. A gauge is then used to check the dimensions of the lug spacing, as specified by the EN 14420-8 standard.



- Locking ring

The locking ring is tested by simulating a fall to the ground. The test device consists of a sway arm and a weight. When the arm falls onto the locking ring, the ring deforms as a result of the heavy impact. LMC-Couplings conducts this test to discover whether there are any signs of post-impact deformation or fracturing. In practice, a locking ring cannot deform, since it is mounted onto the body of the Guillemin coupling. However, if the chemical structure of the locking ring is inadequate, then the locking ring will break immediately. The LMC-Couplings locking ring resumed its original shape after testing, and displayed no evidence of fracture.



- Material test

An in-house spectroscope is used to test the materials used in the Guillemin couplings. The spectroscope analyses the precise material substances found in the coupling. We can therefore offer our customers a guarantee that the materials used comply fully with the relevant standard.



- Dimensions

The dimensions of LMC Guillemin couplings comply with EN 14420-8 / NF E 29-572. Guillemin couplings manufactured in compliance with this standard are interchangeable. The Guillemin couplings are randomly checked for correct dimensions using two different measuring methods:

1. Measuring tool
2. Gauges

Our measuring system compares the dimensions of our Guillemin couplings comply with the standard. Although ordinary measuring systems are unable to give precise measurements, our measuring system is able to measure the less accessible parts and shapes of Guillemin couplings. This minimizes inspection times and ensures the highest levels of product quality. The European EN 14420-8 standard requires the use of gauges to guarantee interchangeability of Guillemin couplings. LMC-Couplings uses gauges as a random quality measurement system at several production stages, in our production department, on arrival in our warehouse and before goods are shipped to our customers. Using the gauges required by the European EN 14420-8 standard, LMC-Couplings measures the following four quality-point dimensions of its Guillemin couplings:



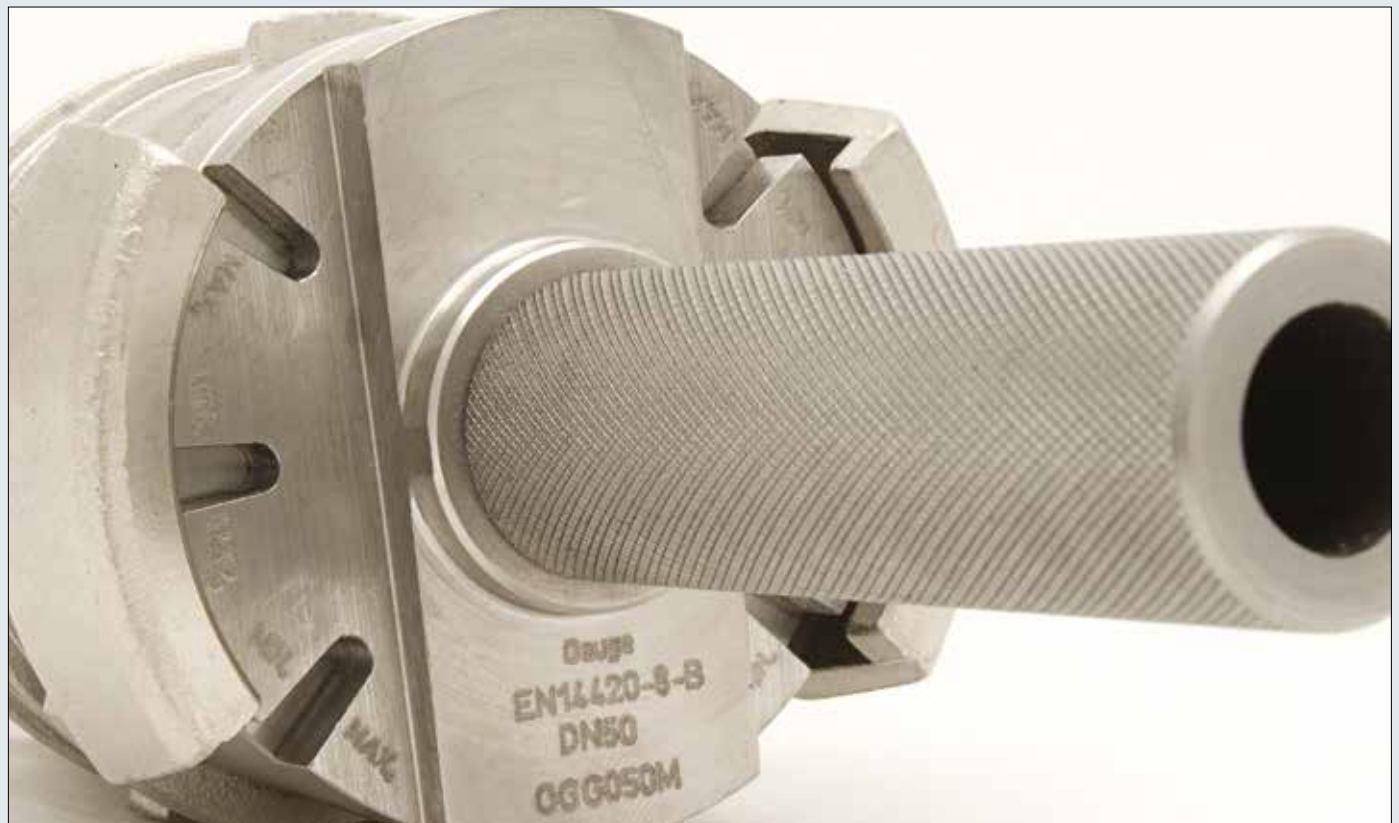
- A. Seal groove
- B. Locking ring
- C. Outside diameter
- D. Inside diameter

■ Quality finishing

LMC's Guillemin couplings meet the high requirements of the EN 14420-8 / NF E 29-572 standard. A lot of attention was focused on product design. The design of the lugs, the ergonomic locking ring, the special treated surface, length of hose tail, plug with chain, branding ... and many more details guarantee a highly finished product.

Guillemin couplings vs DSP couplings

	GUILLEMIN COUPLINGS	DSP COUPLINGS
Standard	EN 14420-8 / NF E 29-572	NF S61-704 / NF S61-705
Main application	Pressure and suction purposes in wide range of industries	Pressure and suction purposes in fire fighting
Lug	Smooth (a)	Triangular (b)
Locking ring	Smooth Rotation of 360°	Serrated Rotation of 45°
Seal	Square seal	Profiled seal





MALE THREADED WITHOUT LOCKING RING

ND	Inch	Thread EN ISO 228-1	Material	Weight/pc Kg	Reference
40	1.1/2"	G 1.1/2	Aluminium	0.12	LGM038
50	2"	G 2	Aluminium	0.15	LGM050
65	2.1/2"	G 2.1/2	Aluminium	0.23	LGM065
80	3"	G 3	Aluminium	0.46	LGM080
100	4"	G 4	Aluminium	0.64	LGM100
40	1.1/2"	G 1.1/2	Stainless steel	0.30	RGM038
50	2"	G 2	Stainless steel	0.55	RGM050
65	2.1/2"	G 2.1/2	Stainless steel	0.76	RGM065
80	3"	G 3	Stainless steel	1.11	RGM080
100	4"	G 4	Stainless steel	1.55	RGM100



Working pressure: 16 bar / 230 psi

Male thread: EN ISO 228-1, BSP

Stainless steel: AISI 316 / 1.4401

FEMALE THREADED WITHOUT LOCKING RING

ND	Inch	Thread EN ISO 228-1	Material	Weight/pc Kg	Reference
40	1.1/2"	G 1.1/2	Aluminium	0.09	LGF038
50	2"	G 2	Aluminium	0.14	LGF050
65	2.1/2"	G 2.1/2	Aluminium	0.23	LGF065
80	3"	G 3	Aluminium	0.35	LGF080
100	4"	G 4	Aluminium	0.41	LGF100
40	1.1/2"	G 1.1/2	Stainless steel	0.19	RGF038
50	2"	G 2	Stainless steel	0.36	RGF050
65	2.1/2"	G 2.1/2	Stainless steel	0.74	RGF065
80	3"	G 3	Stainless steel	0.95	RGF080
100	4"	G 4	Stainless steel	0.94	RGF100



Working pressure: 16 bar / 230 psi

Female thread: EN ISO 228-1, BSP

Stainless steel: AISI 316 / 1.4401



MALE THREADED WITH LOCKING RING

ND	Inch	Thread EN ISO 228-1	Material	Weight/pc Kg	Reference
40	1.1/2"	G 1.1/2	Aluminium	0.16	LGMG038
50	2"	G 2	Aluminium	0.30	LGMG050
65	2.1/2"	G 2.1/2	Aluminium	0.47	LGMG065
80	3"	G 3	Aluminium	0.61	LGMG080
100	4"	G 4	Aluminium	0.87	LGMG100
40	1.1/2"	G 1.1/2	Stainless steel	0.43	RGMG038
50	2"	G 2	Stainless steel	0.85	RGMG050
65	2.1/2"	G 2.1/2	Stainless steel	0.98	RGMG065
80	3"	G 3	Stainless steel	1.11	RGMG080
100	4"	G 4	Stainless steel	1.59	RGMG100



Working pressure: 16 bar / 230 psi

Seal: NBR - black

Male thread: EN ISO 228-1, BSP

Stainless steel: AISI 316 / 1.4401

FEMALE THREADED WITH LOCKING RING

ND	Inch	Thread EN ISO 228-1	Material	Weight/pc Kg	Reference
40	1.1/2"	G 1.1/2	Aluminium	0.23	LGFG038
50	2"	G 2	Aluminium	0.40	LGFG050
65	2.1/2"	G 2.1/2	Aluminium	0.47	LGFG065
80	3"	G 3	Aluminium	0.60	LGFG080
100	4"	G 4	Aluminium	1.17	LGFG100
40	1.1/2"	G 1.1/2	Stainless steel	0.60	RGFG038
50	2"	G 2	Stainless steel	0.78	RGFG050
65	2.1/2"	G 2.1/2	Stainless steel	1.24	RGFG065
80	3"	G 3	Stainless steel	1.65	RGFG080
100	4"	G 4	Stainless steel	3.07	RGFG100



Working pressure: 16 bar / 230 psi

Seal: NBR - black

Female thread: EN ISO 228-1, BSP

Stainless steel: AISI 316 / 1.4401

GUILLEMIN COUPLINGS



SERRATED HOSE SHANK WITH LOCKING RING

ND	Inch	For hose mm	Collar	Material	Weight/pc Kg	Reference
40	1.1/2"	38	-	Aluminium	0.17	LGSG038
40	1.1/2"	40	-	Aluminium	0.20	LGSG040
40	1.1/2"	45	-	Aluminium	0.25	LGSG045
50	2"	50	x	Aluminium	0.33	LGSG050
50	2"	55	-	Aluminium	0.38	LGSG055
65	2.1/2"	65	x	Aluminium	0.41	LGSG065
65	2.1/2"	70	-	Aluminium	0.60	LGSG070
80	3"	75	x	Aluminium	0.77	LGSG075
80	3"	80	-	Aluminium	0.79	LGSG080
80	3"	90	-	Aluminium	0.85	LGSG090
100	4"	100	x	Aluminium	1.33	LGSG100
100	4"	105	-	Aluminium	1.03	LGSG105
100	4"	110	-	Aluminium	1.26	LGSG110
40	1.1/2"	40	x	Stainless steel	0.52	RGSG038
50	2"	50	x	Stainless steel	0.93	RGSG050
50	2"	55	-	Stainless steel	0.87	RGSG055
65	2.1/2"	65	x	Stainless steel	1.05	RGSG065
80	3"	75	x	Stainless steel	2.27	RGSG075
80	3"	80	x	Stainless steel	2.28	RGSG080
80	3"	90	-	Stainless steel	2.04	RGSG090
100	4"	100	x	Stainless steel	3.31	RGSG100

Working pressure: 16 bar / 230 psi

Seal: NBR - black

Stainless steel: AISI 316 / 1.4401

Assembly: band clamps and ferrules



SERRATED HOSE SHANK WITH LOCKING RING WITHOUT LUGS

ND	Inch	For hose mm	Collar	Material	Weight/pc Kg	Reference
40	1.1/2"	38	-	Aluminium	0.12	LGSG038SO
40	1.1/2"	40	-	Aluminium	0.16	LGSG040SO
40	1.1/2"	45	-	Aluminium	0.20	LGSG045SO
50	2"	50	x	Aluminium	0.21	LGSG050SO
50	2"	55	-	Aluminium	0.28	LGSG055SO
65	2.1/2"	65	x	Aluminium	0.35	LGSG065SO
65	2.1/2"	70	-	Aluminium	0.45	LGSG070SO
80	3"	75	x	Aluminium	0.65	LGSG075SO
80	3"	80	-	Aluminium	0.69	LGSG080SO
80	3"	90	-	Aluminium	0.71	LGSG090SO
100	4"	100	x	Aluminium	1.21	LGSG100SO
100	4"	105	-	Aluminium	0.95	LGSG105SO
100	4"	110	-	Aluminium	1.15	LGSG110SO



Working pressure: 8 bar / 115 psi

Seal: NBR - black

Assembly: band clamps and ferrules

Guillemin couplings without lugs are recommended to prevent torsion of the hose when connecting the coupling on a fixed Guillemin coupling.

Also available in male, female and butt-weld version.



BUTT WELD VERSION WITHOUT LOCKING RING

ND	Inch	Welding end mm	Material	Weight/pc Kg	Reference
40	1.1/2"	48.26 x 3.68	Stainless steel	0.33	RGBW038
50	2"	60.33 x 3.91	Stainless steel	0.86	RGBW050
65	2.1/2"	73.03 x 5.16	Stainless steel	1.01	RGBW065
80	3"	88.90 x 5.49	Stainless steel	1.18	RGBW080
100	4"	114.30 x 6.02	Stainless steel	1.57	RGBW100



Working pressure: 16 bar / 230 psi
 Welding end: butt weld end to inch and schedule 40 pipe size
 Stainless steel: AISI 316 / 1.4401

BUTT WELD VERSION WITH LOCKING RING

ND	Inch	Welding end mm	Material	Weight/pc Kg	Reference
40	1.1/2"	48.26 x 3.68	Stainless steel	0.44	RGBWG038
50	2"	60.33 x 3.91	Stainless steel	0.91	RGBWG050
65	2.1/2"	73.03 x 5.16	Stainless steel	1.08	RGBWG065
80	3"	88.90 x 5.49	Stainless steel	1.83	RGBWG080
100	4"	114.30 x 6.02	Stainless steel	2.10	RGBWG100



Working pressure: 16 bar / 230 psi
 Welding end: butt weld end to inch and schedule 40 pipe size
 Seal: NBR - black
 Stainless steel: AISI 316 / 1.4401

PLUG WITH HANDLE

ND	Inch	Material	Weight/pc Kg	Reference
40	1.1/2"	Aluminium	0.15	LGP038
50	2"	Aluminium	0.20	LGP050
65	2.1/2"	Aluminium	0.22	LGP065
80	3"	Aluminium	0.34	LGP080



Working pressure: 16 bar / 230 psi
 Seal: NBR - black
 Chain included

GUILLEMIN COUPLINGS



PLUG WITHOUT LOCKING RING

ND	Inch	Material	Weight/pc Kg	Reference
40	1.1/2"	Stainless steel	0.11	RGP038
50	2"	Stainless steel	0.23	RGP050
65	2.1/2"	Stainless steel	0.32	RGP065
80	3"	Stainless steel	0.43	RGP080
100	4"	Stainless steel	0.81	RGP100
50	2"	Polypropylene	0.04	GPL050

Working pressure: 16 bar / 230 psi
Chain included
Stainless steel: AISI 316 / 1.4401



PLUG WITH LOCKING RING

ND	Inch	Material	Weight/pc Kg	Reference
40	1.1/2"	Aluminium	0.15	LGPG038
50	2"	Aluminium	0.25	LGPG050
65	2.1/2"	Aluminium	0.31	LGPG065
80	3"	Aluminium	0.48	LGPG080
100	4"	Aluminium	0.75	LGPG100
40	1.1/2"	Stainless steel	0.29	RGPG038
50	2"	Stainless steel	0.60	RGPG050
65	2.1/2"	Stainless steel	0.76	RGPG065
80	3"	Stainless steel	1.26	RGPG080
100	4"	Stainless steel	1.68	RGPG100

Working pressure: 16 bar / 230 psi
Seal: NBR - black
Chain included
Stainless steel: AISI 316 / 1.4401



GUILLEMIN COUPLINGS



REDUCING COUPLING GUILLEMIN - GUILLEMIN

ND	Inch	Material	Weight/pc Kg	Reference
40 - 50	1.1/2" - 2"	Aluminium	0.60	LGVG040050
40 - 65	1.1/2" - 2.1/2"	Aluminium	0.55	LGVG040065
40 - 80	1.1/2" - 3"	Aluminium	0.98	LGVG040080
50 - 65	2" - 2.1/2"	Aluminium	0.65	LGVG050065
50 - 80	2" - 3"	Aluminium	1.14	LGVG050080
50 - 100	2" - 4"	Aluminium	1.07	LGVG050100
65 - 80	2.1/2" - 3"	Aluminium	1.22	LGVG065080
65 - 100	2.1/2" - 4"	Aluminium	1.72	LGVG065100
80 - 100	3" - 4"	Aluminium	1.87	LGVG080100
40 - 50	1.1/2" - 2"	Stainless steel	1.50	RGVG038050
40 - 65	1.1/2" - 2.1/2"	Stainless steel	1.66	RGVG038065
50 - 65	2" - 2.1/2"	Stainless steel	2.13	RGVG050065
50 - 80	2" - 3"	Stainless steel	2.05	RGVG050080
50 - 100	2" - 4"	Stainless steel	4.01	RGVG050100
65 - 80	2.1/2" - 3"	Stainless steel	3.10	RGVG065080
65 - 100	2.1/2" - 4"	Stainless steel	3.50	RGVG065100
80 - 100	3" - 4"	Stainless steel	4.91	RGVG080100



REDUCING COUPLING GUILLEMIN - DSP

ND Guillemin - DSP	Inch Guillemin - DSP	Material	Weight/pc Kg	Reference
40 - DSP 40	1.1/2" - 1.1/2"	Aluminium	0.43	LGVD038040
40 - DSP 65	1.1/2" - 2.1/2"	Aluminium	0.76	LGVD038070
50 - DSP 65	2" - 2.1/2"	Aluminium	1.09	LGVD050070
50 - AR 100	2" - 4"	Aluminium	1.75	LGVD050100
65 - DSP 65	2.1/2" - 2.1/2"	Aluminium	1.01	LGVD065070
65 - AR 100	2.1/2" - 4"	Aluminium	1.75	LGVD065100
80 - AR 100	3" - 4"	Aluminium	1.85	LGVD080100
100 - AR 100	4" - 4"	Aluminium	2.08	LGVD100100



REDUCING COUPLING GUILLEMIN - STORZ

ND Guillemin - Storz	Inch Guillemin - Storz	Material	Weight/pc Kg	Reference
40 - 52C LD 66	1.1/2" - 2"	Aluminium	0.57	LGVS038066
40 - 75B LD 89	1.1/2" - 3"	Aluminium	0.63	LGVS038089
50 - 52C LD 66	2" - 2"	Aluminium	0.66	LGVS050066
50 - 75B LD 89	2" - 3"	Aluminium	0.95	LGVS050089
50 - 110A LD 133	2" - 4"	Aluminium	1.71	LGVS050133
65 - 52C LD 66	2.1/2" - 2"	Aluminium	1.11	LGVS065066
65 - 75B LD 89	2.1/2" - 3"	Aluminium	1.12	LGVS065089
65 - 110A LD 133	2.1/2" - 4"	Aluminium	1.57	LGVS065133
80 - 52C LD 66	3" - 2"	Aluminium	1.1	LGVS080066
80 - 75B LD 89	3" - 3"	Aluminium	1.23	LGVS080089
80 - 110A LD 133	3" - 4"	Aluminium	1.81	LGVS080133
100 - 52C LD 66	4" - 2"	Aluminium	1.63	LGVS100066
100 - 75B LD 89	4" - 3"	Aluminium	1.58	LGVS100089
100 - 110A LD 133	4" - 4"	Aluminium	2.04	LGVS100133



Working pressure: 16 bar / 230 psi

Stainless steel: AISI 316 / 1.4401

Guillemin and DSP couplings with locking ring

Guillemin square seal NBR; DSP coupling profiled seal NBR; Storz coupling profiled seal NBR

LD: Lug distance



HELICAL HOSE SHANK FOR COMPOSITE HOSE WITH LOCKING RING

ND	Inch	For hose mm	Material	Weight/pc Kg	Reference
50	2"	50	Aluminium	0.42	CLGSG050
65	2.1/2"	65	Aluminium	0.56	CLGSG065
80	3"	80	Aluminium	0.83	CLGSG080
100	4"	100	Aluminium	1.42	CLGSG100
50	2"	50	Stainless steel	1.14	CRGSG050
80	3"	80	Stainless steel	2.33	CRGSG080
100	4"	100	Stainless steel	3.55	CRGSG100



Working pressure: 16 bar / 230 psi
 Seal: NBR - black
 Shank: composite hose shank in metric size
 Stainless steel: AISI 316 / 1.4401
 Assembly: swage ferrules with crimping seal

SWAGE FERRULE FOR HELICAL HOSE SHANK AND COMPOSITE HOSE

ND	Inch	Material	Ø ID mm +/- coupling side	Ø ID mm +/- hose side	Length mm +/-	Weight/pc kg	Reference
50	2"	Stainless steel	53.6	65.7	67.0	0.15	CHR050
65	2.1/2"	Stainless steel	68.0	83.0	73.0	0.24	CHR065
80	3"	Stainless steel	84.6	98.0	76.2	0.24	CHR080
100	4"	Stainless steel	107.5	124.0	107.0	0.63	CHR100



Stainless steel AISI 304 - 1.4301
 Steel swage ferrules on request available

CRIMPING SEAL FOR HELICAL SHANK COUPLING

ND	Inch	Material	Colour	Ø OD +/- 2 mm	Ø ID +/- 1 mm	Weight/pc kg	Reference
50	2"	NBR	Black	65.5	50	0.02	CXN050
65	2.1/2"	NBR	Black	84	65	0.03	CXN065
80	3"	NBR	Black	100	80	0.04	CXN080
100	4"	NBR	Black	112.5	100	0.07	CXN100



EPDM / FPM available on request

GUILLEMIN COUPLINGS



MULTI WRENCH - GY®

ND	Inch	Material	Weight/pc Kg	Reference
40 - 100	1.1/2" - 4"	Blue coated steel	0.54	GY



WRENCH

ND	Inch	Material	Weight/pc Kg	Reference
40	1.1/2"	Red coated steel	0.54	GY040
80	3"	Red coated steel	0.88	GY080



CHAIN WITH S-HOOK

Material	Length	Weight/pc Kg	Reference
Stainless steel	200 mm	0.015	KETR200



Stainless steel AISI 304 - 1.4301

SEALS

SQUARE SEAL FOR COUPLING PART - NBR

ND	Inch	Material	Colour	Ø OD mm	Ø ID mm	Height mm	Weight/pc Kg	Reference
25	1"	NBR	Black	34.3	27.3	4.0	0.001	GXB025
32	1.1/4"	NBR	Black	38.0	32.0	4.5	0.002	GXB032
40	1.1/2"	NBR	Black	51.0	43.0	5.0	0.004	GXB038
50	2"	NBR	Black	64.0	54.0	5.0	0.007	GXB050
65	2.1/2"	NBR	Black	79.0	69.0	6.0	0.010	GXB065
80	3"	NBR	Black	96.0	85.0	6.0	0.015	GXB080
100	4"	NBR	Black	117.5	103.5	7.0	0.020	GXB100



SQUARE SEAL FOR COUPLING PART - EPDM

ND	Inch	Material	Colour	Ø OD mm	Ø ID mm	Height mm	Weight/pc Kg	Reference
25	1"	EPDM	White	34.3	27.3	4.0	0.001	GXE025
40	1.1/2"	EPDM	White	51.0	43.0	5.0	0.005	GXE038
50	2"	EPDM	White	64.0	54.0	5.0	0.007	GXE050
65	2.1/2"	EPDM	White	79.0	69.0	6.0	0.010	GXE065
80	3"	EPDM	White	96.0	85.0	6.0	0.015	GXE080
100	4"	EPDM	White	117.5	103.5	7.0	0.020	GXE100



GUILLEMIN COUPLINGS



SQUARE SEAL FOR COUPLING PART - FPM

ND	Inch	Material	Colour	Ø OD mm	Ø ID mm	Height mm	Weight/pc Kg	Reference
25	1"	FPM	Green	34.3	27.3	4.0	0.001	GXV025
40	1.1/2"	FPM	Green	51.0	43.0	5.0	0.006	GXV038
50	2"	FPM	Green	64.0	54.0	5.0	0.009	GXV050
65	2.1/2"	FPM	Green	79.0	69.0	6.0	0.012	GXV065
80	3"	FPM	Green	96.0	85.0	6.0	0.018	GXV080
100	4"	FPM	Green	117.5	103.5	7.0	0.033	GXV100



SQUARE SEAL FOR COUPLING PART - PTFE

ND	Inch	Material	Colour	Ø OD mm	Ø ID mm	Height mm	Weight/pc Kg	Reference
25	1"	PTFE	White	34.3	27.3	4.0	0.005	GXP025
40	1.1/2"	PTFE	White	51.0	43.0	5.0	0.006	GXP038
50	2"	PTFE	White	64.0	54.0	5.0	0.010	GXP050
65	2.1/2"	PTFE	White	79.0	69.0	6.0	0.015	GXP065
80	3"	PTFE	White	96.0	85.0	6.0	0.020	GXP080
100	4"	PTFE	White	117.5	103.5	7.0	0.036	GXP100



FLAT SEAL FOR PLUG - NBR

ND	Inch	Material	Colour	Ø OD mm	Ø ID mm	Height mm	Weight/pc Kg	Reference
50	2"	NBR	Black	67.9	37.5	2.8	0.01	GXB050GP
65	2.1/2"	NBR	Black	83.5	48.0	2.8	0.02	GXB065GP
80	3"	NBR	Black	100.5	62.0	3.5	0.03	GXB080GP



NBR white on request available