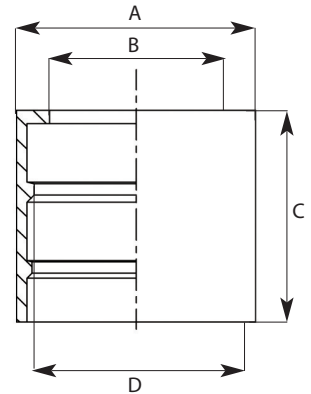


## SWAGE FERRULES



## HRRK SWAGE FERRULES FOR RUBBER HOSES

ND	Inch	Hose	Hose min	Hose max	A mm	B mm	C mm	D mm	Weight/pc kg	Reference
15	1/2'	13 x 4	20.7	22.2	28.5	19.2	42.0	22.2	0.06	HRRK013040
15	1/2'	15 x 5	22.7	24.2	31.4	20.5	42.0	24.2	0.04	HRRK015050
20	3/4'	20 x 6	30.9	32.4	39.8	27.7	42.0	32.4	0.10	HRRK020060
25	1'	25 x 7	39.1	40.6	47.5	34.4	42.2	40.6	0.12	HRRK025070
32	1.1/4'	32 x 6	43.9	45.4	52.0	40.7	42.0	45.4	0.13	HRRK032060
32	1.1/4'	32 x 8	48.4	49.9	58.1	42.2	42.0	49.9	0.18	HRRK032080
40	1.1/2'	38 x 6.5	51.8	53.3	60.0	47.1	44.5	53.3	0.19	HRRK038065
40	1.1/2'	38 x 9	56.6	58.1	67.5	48.9	47.5	58.1	0.26	HRRK038090
50	2'	50 x 6.5	63.0	64.5	72.7	59.6	60.0	64.5	0.33	HRRK050065
50	2'	50 x 8	66.4	67.9	77.0	60.7	60.0	67.9	0.39	HRRK050080
50	2'	50 x 11	73.1	74.6	86.0	62.9	60.0	74.6	0.55	HRRK050110
65	2.1/2'	65 x 8	81.4	82.9	93.0	74.7	70.0	82.9	0.55	HRRK065080
65	2.1/2'	65 x 12	90.3	91.8	104.0	77.6	70.0	91.8	0.66	HRRK065120
80	3'	75 x 8	91.4	92.9	102.7	86.7	83.0	92.9	0.70	HRRK075080
80	3'	75 x 12	100.3	101.8	114.0	89.6	83.0	101.8	1.05	HRRK075120
100	4'	100 x 10	120.9	122.4	135.0	113.2	99.0	122.4	1.47	HRRK100100
100	4'	100 x 16	134.3	135.8	150.0	117.6	99.0	135.8	1.47	HRRK100160



HRRK swage ferrules: stainless steel AISI 316 / 1.4401

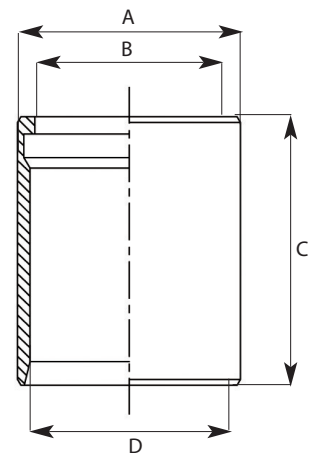
Steel HSRK swage ferrules on request available.

Other dimensions available on request.

Assembly: HRRK swage ferrules are recommended for the assembly of rubber hoses.

## HRP SWAGE FERRULES FOR PTFE HOSES

ND	Inch	A mm	B mm	C mm	D mm	Weight/pc kg	Reference
6	1/4'	15.0	11.3	33.6	10.2	0.02	HRP06
8	5/16'	17.9	14.0	35.2	14.3	0.02	HRP08
10	3/8'	19.9	14.2	35.2	16.3	0.03	HRP10
12	1/2'	23.6	19.2	43.0	18.7	0.05	HRP12
16	5/8'	28.3	20.8	45.1	23.9	0.06	HRP16
20	3/4'	31.5	26.3	43.55	27.0	0.07	HRP20
25	1'	38.1	32.3	46.0	33.9	0.08	HRP25
32	1.1/4'	48.5	39.3	46.0	41.0	0.16	HRP32
40	1.1/2'	52.0	45.5	46.0	45.8	0.18	HRP38
50	2'	65.0	58.4	51.4	59.5	0.20	HRP50
65	2.1/2'	81.0	73.2	68.0	72.5	0.51	HRP65
80	3'	93.7	85.1	70.0	85.1	0.61	HRP75
100	4'	119.9	112.0	103.2	111.0	0.84	HRP100



HRP swage ferrules: stainless steel AISI 316 / 1.4401

Other dimensions available on request

Assembly: HRP swage ferrules are recommended for the assembly of PTFE hoses.